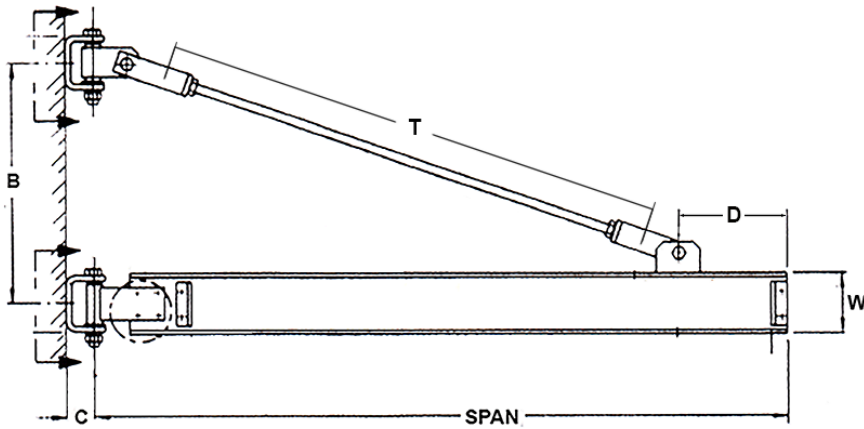


## Tie-Rod Jib Cranes



### Wall Mount Brackets



### Tie Rod Jib Crane Fitting Kits

Capacity	Weight	Model #
1/4 Ton - 1 Ton	115	TR1
2 Ton	135	TR2

Capacity	A	B	W	C	Net Wt. (Lbs.)	Model Number
	Span	Bracket Centers	Beam	Support to Pivot Point		
1/2 TON	8'	2' 9"	W6	3-1/2"	265	TR1-1000-8-W6
	10'	3' 0"	W6	3-1/2"	300	TR1-1000-10-W6
	12'	3' 9"	W6	3-1/2"	335	TR1-1000-12-W6
	14'	4' 6"	W6	3-1/2"	375	TR1-1000-14-W6
	16'	5' 6"	W6	3-1/2"	410	TR1-1000-16-W6
	18'	6' 0"	W8	3-1/2"	495	TR1-1000-18-W8
	20'	6' 6"	W8	3-1/2"	600	TR1-1000-20-W8
	22'	7' 0"	W8c8	3-1/2"	905	TR1-1000-22-W8c8
	24'	7' 6"	W8c8	3-1/2"	975	TR1-1000-24-W8c8
	26'	8' 0"	W10c8	3-1/2"	1230	TR1-1000-26-W10c8
	28'	9' 0"	W10c8	3-1/2"	1315	TR1-1000-28-W10c8
30'	10' 0"	W12c10	3-1/2"	1710	TR1-1000-30-W12c10	
1 TON	8'	2' 9"	W6	3-1/2"	265	TR1-2000-8-W6
	10'	3' 0"	W6	3-1/2"	300	TR1-2000-10-W6
	12'	3' 9"	W6	3-1/2"	335	TR1-2000-12-W6
	14'	4' 6"	W8	3-1/2"	415	TR1-2000-14-W8
	16'	5' 6"	W8	3-1/2"	455	TR1-2000-16-W8
	18'	6' 0"	W8	3-1/2"	555	TR1-2000-18-W8
	20'	6' 6"	W10	3-1/2"	745	TR1-2000-20-W10
	22'	7' 0"	W10c8	3-1/2"	1065	TR1-2000-22-W10C8
	24'	7' 6"	W10c8	3-1/2"	1150	TR1-2000-24-W10C8
	26'	8' 0"	W10c8	3-1/2"	1230	TR1-2000-26-W10c8
	28'	9' 0"	W12c10	3-1/2"	1610	TR1-2000-28-W12c10
30'	10' 0"	W12c10	3-1/2"	1710	TR1-2000-30-W12c10	
2 TON	8'	2' 9"	W8	4"	375	TR2-4000-8-W8
	10'	3' 0"	W8	4"	435	TR2-4000-10-W8
	12'	3' 9"	W8	4"	495	TR2-4000-12-W8
	14'	4' 6"	W8	4"	550	TR2-4000-14-W8
	16'	5' 6"	W10	4"	720	TR2-4000-16-W10
	18'	6' 0"	W10	4"	795	TR2-4000-18-W10
	20'	6' 6"	W12	4"	1000	TR2-4000-20-W12
	22'	7' 0"	W12c10	4"	1420	TR2-4000-22-W12c10
	24'	7' 6"	W12c10	4"	1535	TR2-4000-24-W12c10
	26'	8' 0"	W12c10	4"	1650	TR2-4000-26-W12c10
	28'	9' 0"	W12c10	4"	1760	TR2-4000-28-W12c10
	30'	10' 0"	W12c10	4"	1895	TR2-4000-30-W12c10